

Key Feature

- 10.1-inch colorful touch screen with resolution 1024 × 600
- UI V2.0: User friendly design
- Plug & play
- Standard PoE
- Easy installation
- Supports link to hikvision devices to build a management center
- Receives video call and unlocks on mobile App anytime, anywhere

Approval

CE-EMC	a. EN 55032:2015 b. EN 61000-3-2:2014 c. EN 61000-3-3:2013 d. EN 50130-4:2011 +A1:2014
CE-LVD	EN 60950-1:2006 + A11:2009 + A1:2010 + A12:2011 + A2:2013
CE-RED	a. EN 201 489-1 V2.1.1, EN 301 489-17 V3.1.1 b. EN 300 328 V2.1.1, EN 62311:2008
CB	IEC 60950-1:2005 (Second Edition) + Am 1:2009 + Am 2:2013
FCC-SDOC	47 CFR Part 15, Subpart B
FCC-ID	47 CFR Part 15, Subpart B
C-TICK(EMC)	AS/NZS CISPR 32:2015
C-TICK(RF)	AS/NZS 4268:2017

UL	UL 60950-1 & CAN/CSA C22.2 No. 60950-1-07, Information Technology Equipment – Safety – Part 1: General Requirements
IC(EMC)	ICES-003:Issue 6
IC(RF)	RSS-247 Issue 2, February 2017, RSS-Gen Issue 5, April 2018
ROHS	2011/65/EU
REACH	Regulation (EC) No 1907/2006
WEEE	2012/19/EU

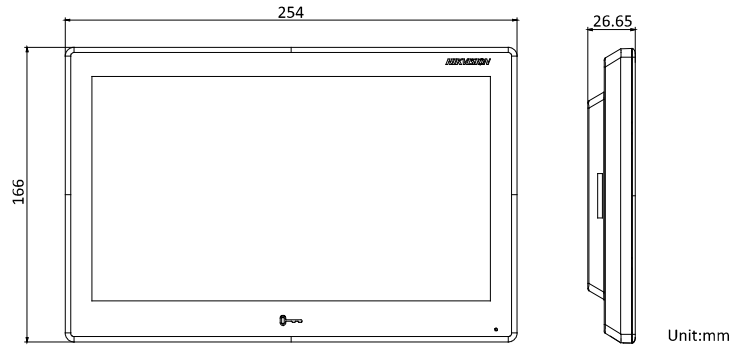
Specification

System parameters	
Memory	1 GB
Flash	8 GB Emmc
Display parameters	
Display screen	10.1-inch colorful IPS touch screen
Display resolution	1024 × 600
Operation method	Capacitive touch screen
Brightness	Adjustable
Audio parameters	
Audio input	Built-in omnidirectional microphone
Audio output	Built-in loudspeaker
Audio compression standard	G.711 U, G.711 A
Audio quality	Noise suppression and echo cancellation
Network parameters	
Wired network	10/100 Mbps self-adaptive
Wireless network	Wi-Fi 802.11 b/g/n
Network protocol	TCP/IP, SIP, RTSP
Interfaces	
Network port	RJ45
RS-485	1
Alarm in	8
Button	1
TAMPER	1
Alarm out	2 relay
Debugging port	1
Micro USB	For debug only
General	
Power supply	12 VDC & standard PoE IEEE 802.3af
Power consumption	≤ 8 W
Working temperature	-10 °C to 50 °C (14 °F to 122 °F)
Working humidity	10% to 90%
Dimensions	254 mm × 166 mm × 26.65 mm (10.0" × 6.54" × 1.05")
Weight	875 g (without package) 1060 g (with package)

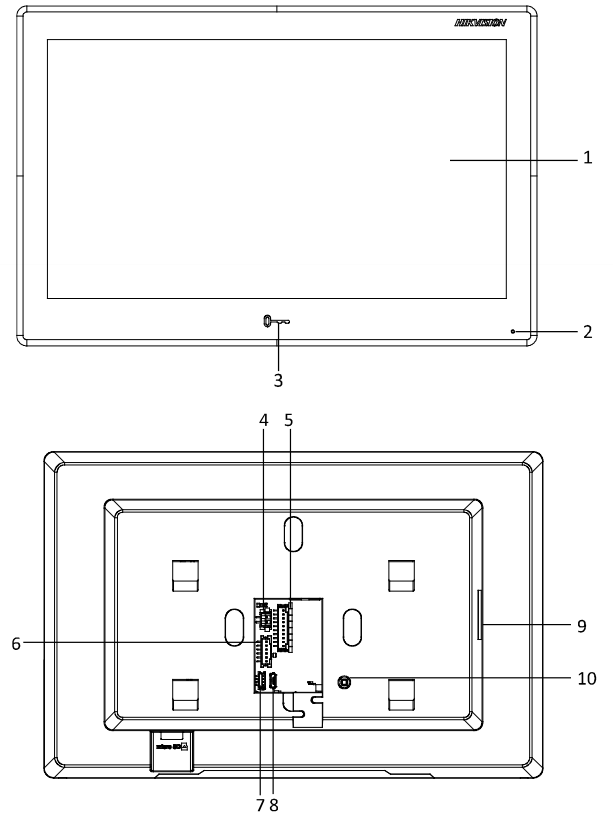
Available Model

DS-KH9510-WTE1

Dimension



Appearance and Interfaces



No.	Description	No.	Description
1	Display Screen	6	RS-485/Relay Interface
2	Microphone	7	Debugging Port
3	Unlock Button	8	Micro USB Interface
4	Power Terminal	9	Loudspeaker
5	Alarm Terminal	10	TAMPER



Distributed by

**HIKVISION®****Headquarters**

No.555 Qianmo Road, Binjiang District,
Hangzhou 310051, China
T +86-571-8807-5998
overseasbusiness@hikvision.com

Hikvision USA
T +1-909-895-0400
sales.usa@hikvision.com

Hikvision Australia
T +61-2-8599-4233
salesau@hikvision.com

Hikvision India
T +91-22-28469900
sales@pramahikvision.com

Hikvision Canada
T +1-866-200-6690
sales.canada@hikvision.com

Hikvision Thailand
T +662-275-9949
sales.thailand@hikvision.com

Hikvision Europe
T +31-23-5542770
sales.eu@hikvision.com

Hikvision Italy
T +39-0438-6902
info.it@hikvision.com

Hikvision Brazil
T +55 11 3318-0050
Latam.support@hikvision.com

Hikvision Turkey
T +90 (216)521 7070- 7074
sales.tr@hikvision.com

Hikvision Malaysia
T +601-7652-2413
sales.my@hikvision.com

Hikvision UK & Ireland
T +01628-902140
sales.uk@hikvision.com

Hikvision South Africa
Tel: +27 (10) 0351172
sale.africa@hikvision.com

Hikvision France
T +33(0)1-85-330-450
info.fr@hikvision.com

Hikvision Kazakhstan
T +7-727-9730667
nikia.panfilov@hikvision.ru

Hikvision Vietnam
T +84-974270888
sales.vt@hikvision.com

Hikvision UAE
T +971-4-4432090
salesme@hikvision.com

Hikvision Singapore
T +65-6684-4718
sg@hikvision.com

Hikvision Spain
T +34-91-737-16-55
info.es@hikvision.com

Hikvision Tashkent
T +99-87-1238-9438
uzb@hikvision.ru

Hikvision Hong Kong
T +852-2151-1761
info.hk@hikvision.com

Hikvision Russia
T +7-495-669-67-99
saleru@hikvision.com

Hikvision Korea
T +82-(0)31-731-8817
sales.korea@hikvision.com

Hikvision Poland
T +48-22-460-01-50
info.pl@hikvision.com

Hikvision Indonesia
T +62-21-2933759
Sales.Indonesia@hikvision.com

Hikvision Colombia
sales.colombia@hikvision.com