

DS-2XS2T47G0-LD(W)H/4G/C18S40 4 MP ColorVu Solar-powered Security Camera Setup

ColorVu



- High quality imaging with 4 MP resolution
- Standalone with solar panel and built-in battery
- 24/7 colorful imaging
- Efficient H.265+ compression technology
- Provide real-time security via built-in two-way audio
- Water and dust resistant (IP67)
- Stability against category 12 typhoon
- Support 4G (LTE-TDD/LTE-FDD/TD-SCDMA/EVDO) communication



▪ Specification

Camera	
Image Sensor	1/1.8" Progressive Scan CMOS
Max. Resolution	2688 × 1520
Min. Illumination	Color: 0.0005 Lux @ (F1.0, AGC ON), B/W: 0 Lux with white light
Shutter Time	1/3 s to 1/100,000 s
Angle Adjustment	Solar Cover: Pan: 0° to 358°, tilt: -40° to 40° Camera: Pan: 0° to 360° , tilt: -60° to 0°
Lens	
Lens Type	Fixed focal lens, 4 and 6 mm optional
Aperture	F1.0
Focal Length & FOV	4 mm, horizontal FOV 95°, vertical FOV 51°, diagonal FOV 115° 6 mm, horizontal FOV 58°, vertical FOV 31°, diagonal FOV 69°
Lens Mount	M16
DORI	
DORI	4mm, D: 77 m, O: 30 m, R: 15 m, I: 8 m 6mm, D: 116 m, O: 46 m, R: 23 m, I: 12 m
Illuminator	
Supplement Light Type	White Light
Supplement Light Range	Performance mode: up to 30 m Proactive mode: up to 10 m
Smart Supplement Light	Yes
Video	
Main Stream	50 Hz: 12.5 fps (2688 × 1520, 1920 × 1080, 1280 × 720) 60 Hz: 15 fps (2688 × 1520, 1920 × 1080, 1280 × 720)
Sub-Stream	50 Hz: 12.5 fps (640 × 480, 640 × 360) 60 Hz: 15 fps (640 × 480, 640 × 360)
Video Compression	Main stream: H.265/ H.264 Sub-stream: H.265/H.264/MJPEG H.264+: Performance mode: main stream supports H.265+: Performance mode: main stream supports
Video Bit Rate	32 Kbps to 8 Mbps
H.264 Type	Baseline Profile/Main Profile/High Profile
H.265 Type	Main Profile
Bit Rate Control	CBR/VBR
Region of Interest (ROI)	1 fixed region for main stream
Scalable Video Coding (SVC)	H.265 and H.264 support
Audio	
Audio Sampling Rate	8 kHz/16 kHz/32 kHz/44.1 kHz/48 kHz
Environment Noise Filtering	Yes
Audio Compression	G.711/G.722.1/G.726/MP2L2/PCM/AAC/MP3
Audio Bit Rate	64 Kbps (G.711ulaw/G.711alaw)/16 Kbps (G.722.1)/16 Kbps (G.726)/32 to 192 Kbps (MP2L2)/8 to 320 Kbps (MP3)/16 to 64 Kbps (AAC)

Network	
Security	Password protection, complicated password, HTTPS encryption, IP address filter, Security Audit Log, basic and digest authentication for HTTP/HTTPS, TLS 1.1/1.2, WSSE and digest authentication for Open Network Video Interface
Simultaneous Live View	Up to 6 channels
API	Open Network Video Interface, ISAPI, SDK, ISUP
Protocols	TCP/IP, ICMP, HTTP, FTP, DHCP, DNS, DDNS, RTP, RTSP, RTCP, NTP, UPnP, SMTP, IGMP, QoS, IPv6, UDP, Bonjour, SSL/TLS, SNMP, HTTPS, 802.1X
User/Host	Up to 32 users. 3 user levels: administrator, operator and user
Network Storage	Auto network replenishment (ANR)
Client	iVMS-4200, Hik-Connect, Hik-Central Proactive mode: Hik-Connect
Web Browser	Plug-in required live view: IE 10+ Plug-in free live view: Chrome 57.0+, Firefox 52.0+ Local service: Chrome 57.0+, Firefox 52.0+
Mobile Communication	
Frequency	LTE-TDD: Band 38/40/41; LTE-FDD: Band 1/3/5/7/8/20/28; WCDMA: Band 1/5/8; GSM: band 3/5/8
Standard	LTE-TDD, LTE-FDD, WCDMA, GSM
Image	
SNR	≥ 52 dB
Wide Dynamic Range (WDR)	120 dB
Day/Night Switch	Day, Night, Auto, Schedule
Image Enhancement	BLC, HLC, 3D DNR
Image Settings	Rotate mode, saturation, brightness, contrast, sharpness, gain, white balance adjustable by client software or web browser
PIR	
PIR Angle	Horizontal: 100°, vertical: 80°
PIR Range	Up to 15 m
Interface	
Ethernet Interface	1 RJ45 10 M/100 M self-adaptive Ethernet port
On-Board Storage	Built-in memory card slot, support microSD/SDHC/SDXC card, up to 256 GB Built-in 64 GB eMMC storage (50 GB available for recording)
Built-in Microphone	Yes
Built-in Speaker	Yes
Reset Key	Yes
Event	
Basic Event	Motion detection, video tampering alarm, exception, PIR
Linkage	Upload to memory card, notify surveillance center, audible warning, trigger recording, trigger capture, send email

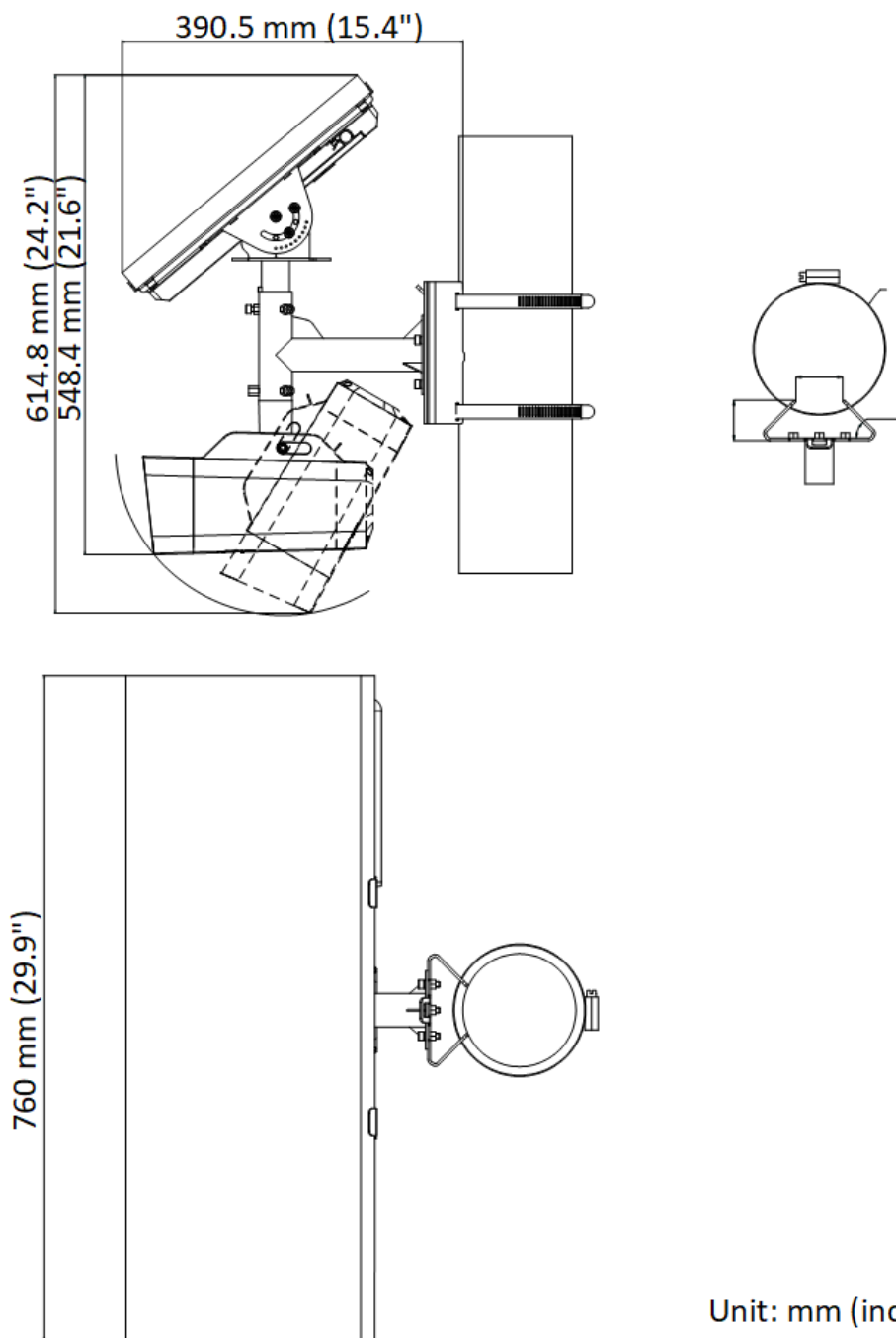
General	
Power	<p>Power Consumption and Current:</p> <p>Typical power scenarios: 1.85 W (4 G working)</p> <p>Standby scenarios: 40 mW</p> <p>Max. power consumption: 7.2 W</p> <p>Power Supply:</p> <p>12 VDC \pm 25%</p> <p>*For debugging only</p> <p>40 W(deviation: \pm 2 W) Solar panels</p> <p>Power Interface:</p> <p>Power supply interface: Φ5.5 mm coaxial power plug</p> <p>Extended solar panel: four-core aviation connector</p>
Material	ADC12
Storage Conditions	-20 °C to 50 °C (-4 °F to 122 °F). Humidity 95% or less (non-condensing)
Language	<p>33 languages</p> <p>English, Russian, Estonian, Bulgarian, Hungarian, Greek, German, Italian, Czech, Slovak, French, Polish, Dutch, Portuguese, Spanish, Romanian, Danish, Swedish, Norwegian, Finnish, Croatian, Slovenian, Serbian, Turkish, Korean, Traditional Chinese, Thai, Vietnamese, Japanese, Latvian, Lithuanian, Portuguese (Brazil), Ukrainian</p>
General Function	Heartbeat, mirror, privacy mask, flash log, password reset via email, pixel counter
Startup and Operating Conditions	-20 °C to 50 °C (-4 °F to 122 °F). Humidity 95% or less (non-condensing)
Dimension	614.8 mm \times 390.5 mm \times 760 mm (24.2" \times 15.4" \times 29.9")
Package Dimension	837 mm \times 267 mm \times 445 mm (33" \times 10.5" \times 17.5")
Weight	<p>Pre-install plate: approx. 1080 g (2.4 lb.)</p> <p>Bullet camera + bracket + solar panel: approx. 8540 g (18.8 lb.)</p>
With Package Weight	approx. 11860 g (26.1 lb.)
Battery	
Battery Type	Ternary lithium
Capacity	23.2 Ah
Max. Charging Voltage	8.4 V
Operating Temperature	<p>Charge: -20 °C to 45 °C (-4 °F to 113 °F). Charging Condition: -20 °C to 45 °C (-4 °F to 113 °F) (deviation: \pm 5 °C)</p> <p>Discharge: -20 °C to 55 °C (-4 °F to 131 °F). Discharging Condition: -20 °C to 55 °C (-4 °F to 131 °F) (deviation: \pm 5 °C)</p>
Battery Voltage	5.5 V to 8.4 V
Cycle Lifetime	<p>Performance mode: 2.5 day</p> <p>Proactive mode: 4.5 day</p> <p>Standby mode: 24 days</p>
Battery Life	More than 500 cycles
Approval	
RF	<p>FCC ID (FCC Part 15.247(BT or 2.4G));</p> <p>CE-RED (EN 301489-1 V2.1.1(BT or 2.4G); EN 301489-17 V3.1.1(BT or 2.4G);</p> <p>EN 300328 V2.1.1(BT or 2.4G); EN 62311:2008(BT or 2.4G));</p>

EMC	FCC SDoC (47 CFR Part 15, Subpart B); CE-EMC (EN 55032: 2015, EN 61000-3-2:2019, EN 61000-3-3:2013+A1:2019, EN 50130-4: 2011 +A1: 2014); RCM (AS/NZS CISPR 32: 2015)
Safety	CB (IEC 62368-1:2014+A11); CE-LVD (EN 62368-1:2014/A11:2017); LOA (IEC/EN 60950-1)
Environment	CE-RoHS (2011/65/EU); WEEE (2012/19/EU); Reach (Regulation (EC) No 1907/2006)
Protection	IP67 (IEC 60529-2013)

▪ Available Model

DS-2XS2T47G0-LDH/4G/C18S40(4mm)海外标配/无包装,
 DS-2XS2T47G0-LDH/4G/C18S40(6mm)海外标配/无包装,
 DS-2XS2T47G0-LDH/4G/C18S40(4mm)(海外标配),
 DS-2XS2T47G0-LDH/4G/C18S40(6mm)(海外标配),
 DS-2XS2T47G0-LDH/4G/C18S40(4mm)(海外中性),
 DS-2XS2T47G0-LDH/4G/C18S40(6mm)(海外中性),
 DS-2XS2T47G0-LDH/4G/C18S40(4mm)海外中性/无包装,
 DS-2XS2T47G0-LDH/4G/C18S40(6mm)海外中性/无包装,

▪ Dimension



Distributed by

**HIKVISION®****Headquarters**

No.555 Qianmo Road, Binjiang District,
Hangzhou 310051, China
T +86-571-8807-5998
overseasbusiness@hikvision.com

Hikvision USA
T +1-909-895-0400
sales.usa@hikvision.com

Hikvision Australia
T +61-2-8599-4233
salesau@hikvision.com

Hikvision India
T +91-22-28469900
sales@pramahikvision.com

Hikvision Canada
T +1-866-200-6690
sales.canada@hikvision.com

Hikvision Thailand
T +662-275-9949
sales.thailand@hikvision.com

Hikvision Europe
T +31-23-5542770
sales.eu@hikvision.com

Hikvision Italy
T +39-0438-6902
info.it@hikvision.com

Hikvision Brazil
T +55 11 3318-0050
Latam.support@hikvision.com

Hikvision Turkey
T +90 (216)521 7070- 7074
sales.tr@hikvision.com

Hikvision Malaysia
T +601-7652-2413
sales.my@hikvision.com

Hikvision UK & Ireland
T +01628-902140
sales.uk@hikvision.com

Hikvision South Africa
Tel: +27 (10) 0351172
sale.africa@hikvision.com

Hikvision France
T +33(0)1-85-330-450
info.fr@hikvision.com

Hikvision Kazakhstan
T +7-727-9730667
nikia.panfilov@hikvision.ru

Hikvision Vietnam
T +84-974270888
sales.vt@hikvision.com

Hikvision UAE
T +971-4-4432090
salesme@hikvision.com

Hikvision Singapore
T +65-6684-4718
sg@hikvision.com

Hikvision Spain
T +34-91-737-16-55
info.es@hikvision.com

Hikvision Tashkent
T +99-87-1238-9438
uzb@hikvision.ru

Hikvision Hong Kong
T +852-2151-1761
info.hk@hikvision.com

Hikvision Russia
T +7-495-669-67-99
saleru@hikvision.com

Hikvision Korea
T +82-(0)31-731-8817
sales.korea@hikvision.com

Hikvision Poland
T +48-22-460-01-50
info.pl@hikvision.com

Hikvision Indonesia
T +62-21-2933759
Sales.Indonesia@hikvision.com

Hikvision Colombia
sales.colombia@hikvision.com