

DS-2CD2T22-I3/-I5/-I8 (2.0MP)

DS-2CD2T32-I3/-I5/-I8 (3.0MP)

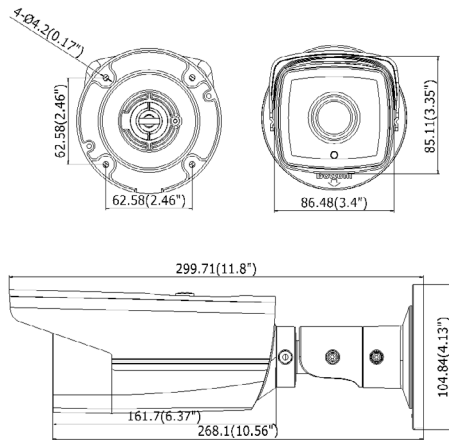
EXIR Bullet Network Camera



Key features

- 2MP / 3MP high resolution
- HD real-time video
- DWDR & 3D DNR
- EXIR illuminators: up to 80m
- IP66
- PoE
- Bracket included

Dimensions



Available models

DS-2CD2T22-I3, DS-2CD2T22-I5, DS-2CD2T22-I8
 DS-2CD2T32-I3, DS-2CD2T32-I5, DS-2CD2T32-I8

* 1.3MP model is also available -- DS-2CD2T12-I3/I5/I8

	DS-2CD2T22-I3/-I5/-I8	DS-2CD2T32-I3/-I5/-I8
Camera		
Image sensor	1/3" Progressive Scan CMOS	
Min. illumination	0.01 Lux @(F1.2,AGC ON), 0 Lux with IR 0.014 Lux @(F1.4,AGC ON), 0 Lux with IR	0.07 Lux @(F1.2,AGC ON), 0 Lux with IR 0.1 Lux @(F1.4,AGC ON), 0 Lux with IR
Shutter time	1/3 s to 1/100,000 s	
Lens	4 mm @ F2.0 (6mm, 16mm optional) Angle of view: 85°	4 mm @ F2.0 (6mm, 16mm optional) Angle of view: 70°
Lens mount	M12	
Day & night	ICR	
Digital noise reduction	3D DNR	
Wide dynamic range	Digital WDR	
Compression Standard		
Video compression	H.264 / MJPEG	
H.264 codec profile	BaseLine Profile / Main Profile	
Bit rate	32 Kbps ~ 12 Mbps	
Dual Stream	Yes	
Image		
Max. Image Resolution	1920 X 1080	2048 x 1536
Frame rate	50 Hz: 25fps(1920 x 1080), 25 fps (1280 x 960), 25 fps (1280 x 720) 60 Hz: 25fps(1920 x 1080), 30 fps (1280 x 960), 30 fps (1280 x 720)	50Hz: 20fps (2048 x 1536), 25fps (1920 x 1080), 25fps (1280 x 720) 60Hz: 20fps (2048 x 1536), 30fps (1920 x 1080), 30fps (1280 x 720)
Image settings	Rotate mode, Saturation, Brightness, Contrast adjustable by client software or web browser	
Backlight compensation	Yes, zone optional	
ROI	Support	
Network		
Network storage	NAS	
Alarm trigger	Motion detection, tampering alarm, scene change detection, face detection, intrusion detection, Line crossing detection	
Protocols	TCP/IP, ICMP, HTTP, HTTPS, FTP, DHCP, DNS, DDNS, RTP, RTSP, RTCP, PPPoE, NTP, UPnP, SMTP, SNMP, IGMP, 802.1X, QoS, IPv6, Bonjour	
System compatibility	ONVIF, PSIA, CGI, ISAPI	
General functionalities	User Authentication, Watermark, IP address filtering, Anonymous access	
Interface		
Communication interface	1 RJ45 10M / 100M Ethernet interface	
General		
Operating conditions	-30 °C ~ 60 °C (-22°F ~ 140 °F) humidity 95% or less (non-condensing)	
Power supply	12 VDC ± 10% , PoE (802.3af)	
Power consumption	-I3: max. 5.5W -I5: max. 7W -I8: max 10W	-I3: max. 6W -I5: max. 7.5W -I8: max 10.5W
Ingress protection level	IP66	
IR range	-I3: 1 pcs EXIR LED, up to 30m -I5: 2pcs EXIR LEDs, up to 50m -I8: 4pcs EXIR LEDs, up to 80m	
Dimensions	Φ105mmx300mm	
Weight	1200g	